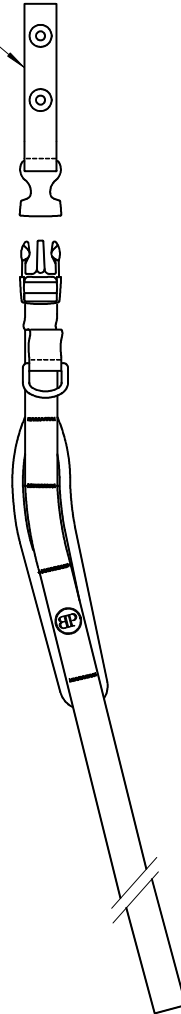
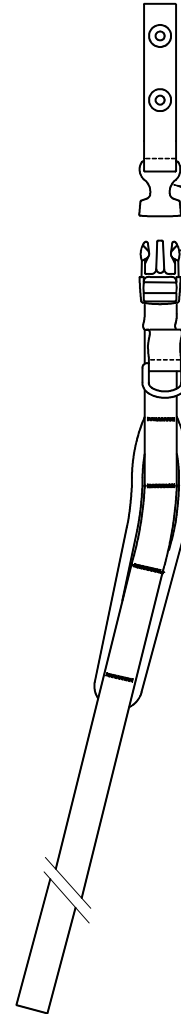




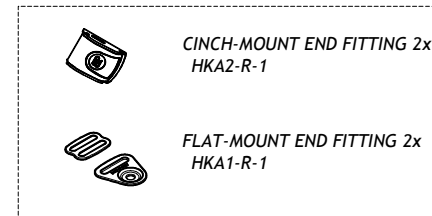
SH025-A01-1 TOP STRAP, 1", FRONT-PULL



FS002 SIDE RELEASE BUCKLE, 1"



CLOSED CELL FOAM PAD
SMALL - 7mm THICK
M & L - 11mm THICK



| SIZE | PART NUMBERS | |
|--------|--------------|------------|
| | CINCH-MOUNT | FLAT-MOUNT |
| SMALL | SH230S-B2 | SH230S-B1 |
| MEDIUM | SH230M-B2 | SH230M-B1 |
| LARGE | SH230L-B2 | SH230L-B1 |

SHEET 1 OF 3

note

description

TRIMLINE SHOULDER HARNESS, FRONT-PULL, TECHNICAL SPECS

drawing no.

D11-0824-31

date originated

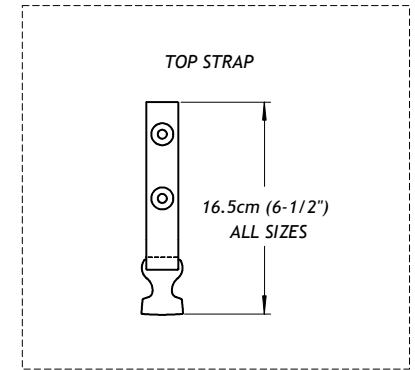
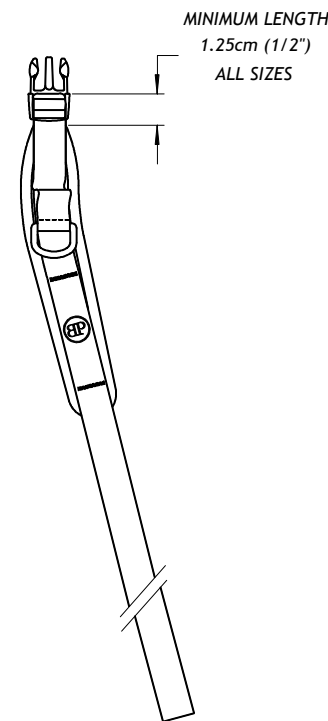
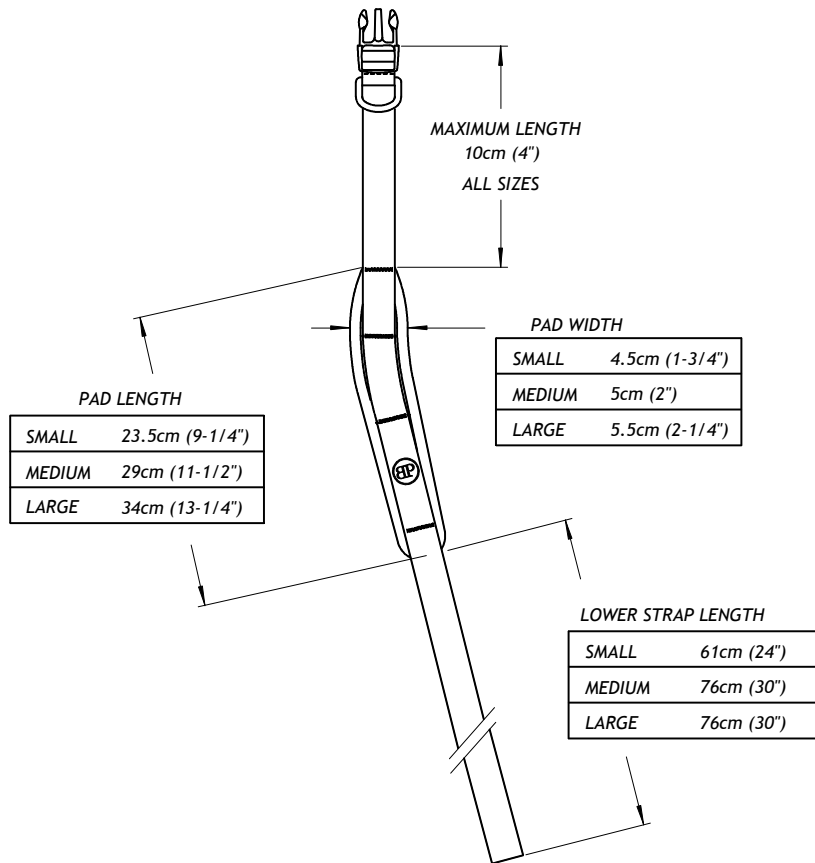
8/24/2011

drawn by

D. HAGAN

rev.

B



note

description

TRIMLINE SHOULDER HARNESS, FRONT-PULL, TECHNICAL SPECS

drawing no.

D11-0824-31

date originated

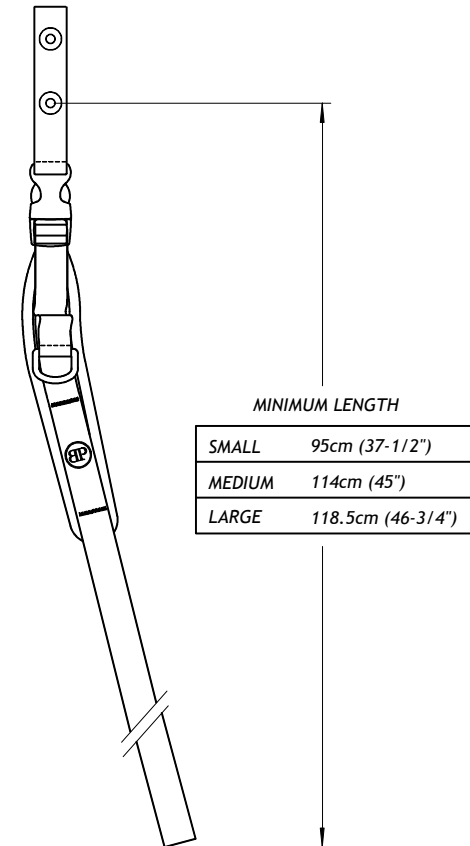
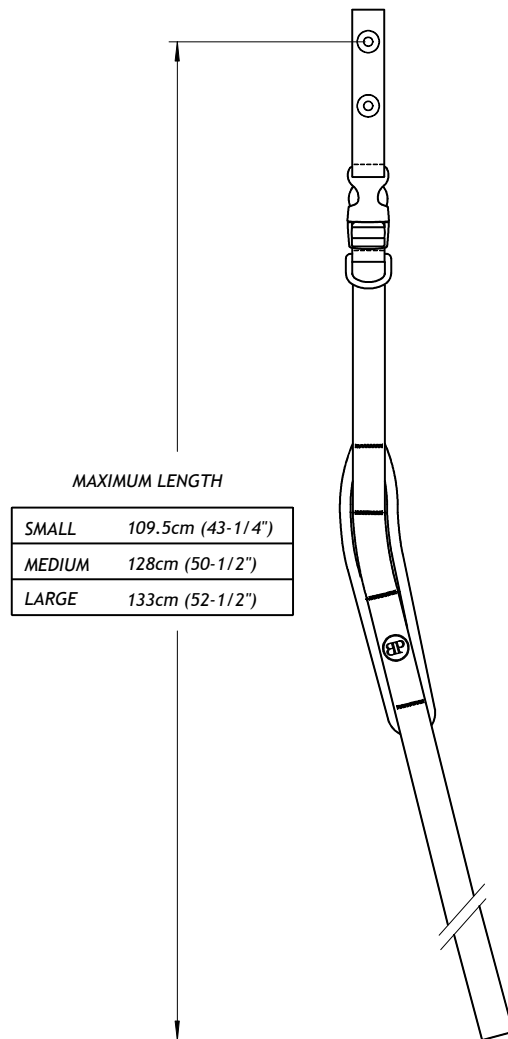
8/24/2011

drawn by

D. HAGAN

rev.

B



note

description

TRIMLINE SHOULDER HARNESS, FRONT-PULL, TECHNICAL SPECS

drawing no.

D11-0824-31

date originated

8/24/2011

drawn by

D. HAGAN

rev.

B